

General Description of the Company

Anhui Forklift Group Corporation Ltd. (hereinafter referred as Heli) is a leading enterprise of industrial trucks in China.

Since 2016, Heli has been ranked among the top seven in the world, representing Chinese brands to forge ahead towards higher stage. (According to the "Top 20 Industrial lift truck suppliers" released by MMH.)

As the leading enterprise in China industrial truck industry, Heli has the ability and strength to participate in the global competition in a higher level, larger scale and wider field. Heli has established overseas centers in France, Thailand and the United States, which enhance the service ability in overseas market. Besides, relying on our global partners, we have established an overseas marketing and service network in more than 80 countries and regions, and Heli products are sold to more than 150 countries and regions in the world. In the next five years, Heli will vigorously promote the international operation and create a global famous brand.



ANHUI HELI CO., LTD.

Add / No.668, FangXing Road, Hefei, China
 Fax / +86-551-63639966
 Tel / +86-551-63639068(America); 63639258(Europe); 63639358(Asia);
 63662105(Africa & Middle East); 63639530(Overseas Marketing)



LinkedIn



YouTube



Facebook

Design&Print: Fichard Printing 20220614

* Our products are subject to improvements and changes without notice.

CPD15/16/ 18/20 SQ GE1LI/GE6LI/GE2LI



1.5-2 t
 G3 series Three-wheel Lithium Battery
 Forklift Truck (Double Drive)

HELI

COMPACT BODY
STRONG ENERGY



STRONG ENERGY

Intelligent security protection

Intelligent stabilization system: it can automatically adjust the tilt angle (Solenoid valve configuration) and speed of the mast according to the lifting height and load state. Improve the high bearing capacity and vehicle stacking safety.

Intelligent speed limit in different application: multi-scenario identification and intelligent speed limit balance efficiency and safety.

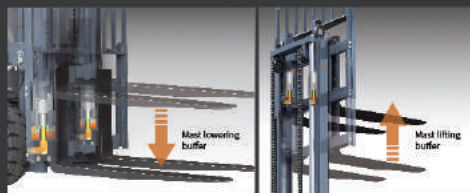
Intelligent limit buffering: intelligent induction of mast lifting and lowering avoids extreme impact and is safe and comfortable.

Intelligent operation protection: a full set of OPS system can avoid misoperation and ensure safety.

Intelligent control strategy: dual core controller is in line with the latest EU safety requirements.

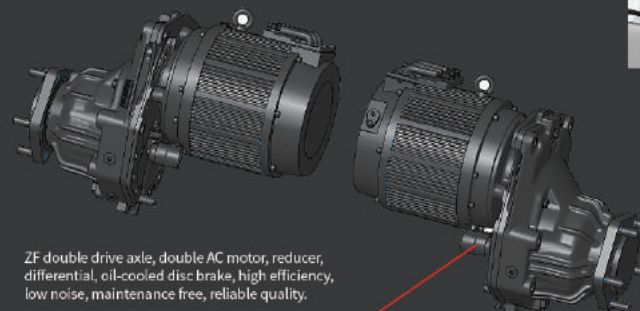
Intelligent steering deceleration: the automatic deceleration function of the turning can reduce the risk of turning over.

Lithium battery which heats itself automatically at low temperatures has excellent low temperature adaptability.



Reliable quality, Easy maintenance

This forklift can work in cold storage at minus 20 degrees Celsius. And the reinforced cast steering axle and the mast of optimized design ensure safety.



ZF double drive axle, double AC motor, reducer, differential, oil-cooled disc brake, high efficiency, low noise, maintenance free, reliable quality.

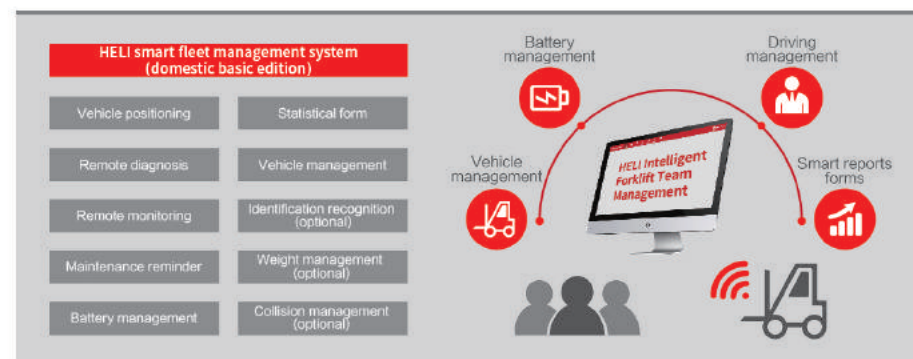
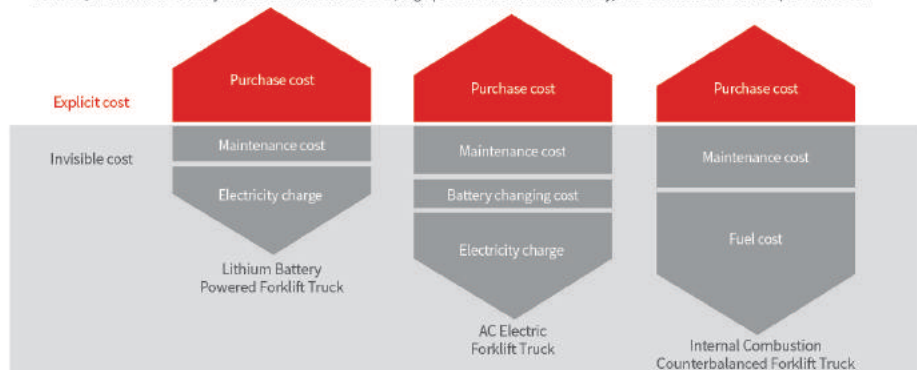
Operating cost comparison:

Lithium battery forklift vs. Lead-acid battery forklift vs. IC forklift

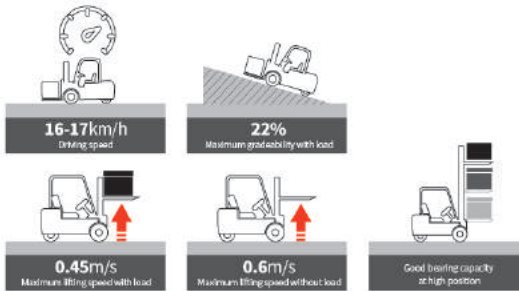
The advantages of Heli lithium battery forklift trucks are more prominent in the life cycle cost. Compared with internal combustion forklift truck, lithium battery forklift truck has the advantages of no noise, no pollution, small vibration and simple operation.

Compared with the lead-acid battery forklift truck, lithium battery forklift has the characteristics of fast charging and charging at any time, which is more suitable for multi shift operation.

Besides, Heli lithium battery forklift is maintenance free, high power conversion efficiency, and economical overall operation cost.



High performance ensures high efficiency



Fast charging for long battery life



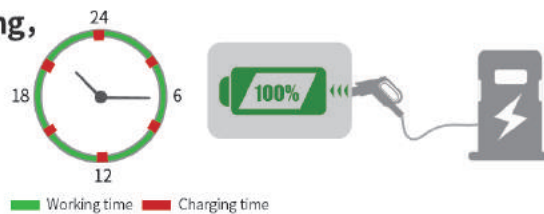
Small dimension, More flexible

Narrow truck width is more suitable for narrow aisle application;
Large angle steering axle makes the turning radius smaller satisfying the loading and unloading operation in narrow aisle.



High efficient fast charging, ultra long endurance

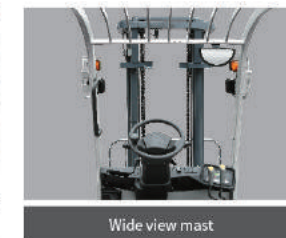
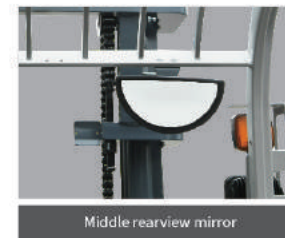
- Realizes faster charging; standard 202ah lithium battery has ultra long endurance;
- The high density energy and fast charging characteristics of lithium battery make it possible to carry out full time operation without interruption.



Comfort and convenience

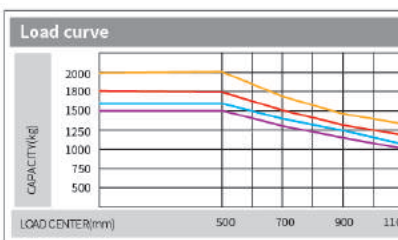
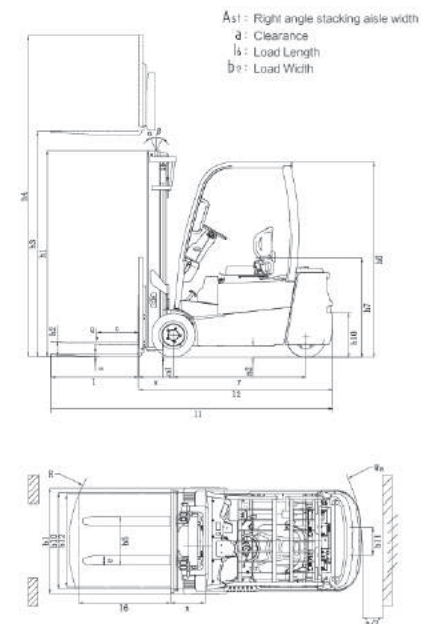


- P — Powerful
 - E — Economical
 - S — Energy-saving
- Multi-gear performance mode can adapt to a variety of working conditions at will.



| Manufacturer and Technical Data | | | | | | |
|---------------------------------|--|-----------------|----------------|---|----------------|----------------|
| Characteristics | | | | | | |
| 1.01 | Manufacturer | | HELI | | | |
| 1.02 | Model | | CPD15SQ | CPD16SQ | CPD18SQ | CPD20SQ |
| 1.03 | Configuration number | | GE1L/GE6L/GE2L | GE1L/GE6L/GE2L | GE1L/GE6L/GE2L | GE1L/GE6L/GE2L |
| 1.04 | Rated capacity | Q | kg | 1600 | 1800 | 2000 |
| 1.05 | Load center distance | c | mm | 500 | | |
| 1.06 | Power mode | | | Lithium Battery | | |
| 1.07 | Driving mode | | | Seated | | |
| 1.08 | Load distance, center of drive axle to fork | x | mm | 367 | 367 | 372 |
| 1.09 | Wheelbase | y | mm | 1292 | 1400 | 1400 |
| Weight | | | | | | |
| 2.01 | Total weight (with/without battery) | | kg | 2900/2620 | 2935/2655 | 3225/2945 |
| 2.02 | Axle load (laden, front/rear) | | kg | 3915/485 | 4035/500 | 4462/563 |
| 2.03 | Axle load (unladen, front/rear) | | kg | 1319/1581 | 1335/1600 | 1496/1728 |
| Tyres | | | | | | |
| 3.01 | Tyre type | | | SE | | |
| 3.02 | Tyre size, front | | | 18X7-8 | 18X7-8 | 200/50-10 |
| 3.03 | Tyre size, rear | | | 140/55-9 | 140/55-9 | 140/55-9 |
| 3.04 | Wheels, number front/rear (x=driven wheels) | | | 2x/2 | 2x/2 | 2x/2 |
| 3.05 | Tread, front | b ₁₀ | mm | 920 | 920 | 928 |
| 3.06 | Tread, rear | b ₁₁ | mm | 198 | 198 | 248 |
| Dimensions | | | | | | |
| 4.01 | Mast tilt angle (forward/backward) | α/β | ° | 5/7 | 5/7 | 5/7 |
| 4.02 | Height (mast lowered) | h ₁ | mm | 2175 | 2175 | 2175 |
| 4.03 | Free lifting height | h ₂ | mm | 90 | 90 | 90 |
| 4.04 | Lifting height (standard) | h ₃ | mm | 3300 | 3300 | 3300 |
| 4.05 | Max. height, extended | h ₄ | mm | 4039 | 4039 | 4039 |
| 4.06 | Height of overhead guard | h ₅ | mm | 2040 | 2040 | 2040 |
| 4.07 | Height of seat | h ₇ | mm | 1047 | 1047 | 1064 |
| 4.08 | Towing coupling height | h ₁₀ | mm | 375 | 375 | 375 |
| 4.09 | Overall length (with fork) | l ₁ | mm | 2850 | 2970 | 2970 |
| 4.10 | Overall length (without fork) | l ₂ | mm | 1930 | 1930 | 2055 |
| 4.11 | Overall width | b ₁ | mm | 1060/1076 | 1060/1120 | 1060/1120 |
| 4.12 | Fork carriage, DIN standard | 2A | | 2A | 2A | 2A |
| 4.13 | Fork size: thickness x width x length | s/e/l | mm | 35/100/920 | 35/100/920 | 40/122/920 |
| 4.14 | Distance between fork-arms, Max./Min. | b ₅ | mm | 960/200 | 960/200 | 960/200 |
| 4.15 | Ground clearance (laden, between mast) | m ₁ | mm | 90 | 90 | 90 |
| 4.16 | Ground clearance (center of wheelbase) | m ₂ | mm | 100 | 100 | 100 |
| 4.17 | Right angle stacker aisle width for pallet 1000x1200mm crossways | A _{2c} | mm | 3120 | 3245 | 3250 |
| 4.18 | Right angle stacker aisle width for pallet 800x1200mm lengthways | A _{2e} | mm | 3320 | 3445 | 3450 |
| 4.19 | Min. outside turning radius | W ₀ | mm | 1545 | 1675 | 1675 |
| Performance Data | | | | | | |
| 5.01 | Travel speed (laden/unladen) | | km/h | 16/17 | 16/17 | 16/16 |
| 5.02 | Lift speed (laden/unladen) | | m/s | 0.45/0.65 | 0.45/0.65 | 0.4/0.6 |
| 5.03 | Lowering speed (laden/unladen) | | m/s | 0.58/0.5 | 0.58/0.5 | 0.58/0.5 |
| 5.04 | Max. drawbar pull (laden/unladen) | | N | 12000/8750 | 12000/8750 | 14200/11000 |
| 5.05 | Max. gradeability (laden/unladen) | | % | 22/30 | 22/30 | 22/30 |
| 5.06 | Acceleration time (10 m) (laden/unladen) | | s | 5.4/5 | 5.4/5 | 5.4/5 |
| Battery | | | | | | |
| 6.01 | Battery voltage/Capacity | | V/Ah | 80/202 | 80/202 | 80/202 |
| 6.02 | Battery weight (Min./Max.) | | kg | 260/320 | 260/320 | 260/320 |
| Motor and controller | | | | | | |
| 7.01 | Driving motor powering (S2-60min) | | kW | 5.5x2 | 5.5x2 | 5.5x2 |
| 7.02 | Lifting motor powering (S3-15%) | | kW | 14 | 14 | 14 |
| 7.03 | Driving motor controlling mode | | | MOSFET/AC | | |
| 7.04 | Lifting motor controlling mode | | | MOSFET/AC | | |
| Addition data | | | | | | |
| 8.01 | Service brake/Parking brake | | | Hydraulic/Hydraulic (automatic parking) | | |
| 8.02 | Operating pressure for attachments | | Mpa | 17.5 | 17.5 | 17.5 |

Note: For configuration number, 1: CURTIS Controller; 2: ZAPI Controller; 6: HELI TECHNOLOGY Controller.



CPD15SQ CPD16SQ CPD18SQ CPD20SQ

Note: The vertical axis stands for load capacity and the horizontal axis stands for load center which is calculated from the front surface of the forks to the gravity of the standard load. The standard load means a cubic with 100mm edge length. When mast is tilted forward, using non-standard forks or loading large goods, the load capacity will be reduced. The load capacity of standard mast at different load center can be known from this load chart.

WIDE VIEW MAST

| Mast model | Max lifting height mm | Load capacity (load center 500mm) | | | | Mast overall height (fork to the ground) | Service weight | | | | Mast tilting angle (°)α/β |
|------------|-----------------------|-----------------------------------|------|------|------|--|----------------|------|------|------|---------------------------|
| | | 1.5t | 1.6t | 1.8t | 2.0t | | 1.5t | 1.6t | 1.8t | 2.0t | |
| M200 | 2000 | 1500 | 1600 | 1800 | 2000 | 1525 | 2828 | 2863 | 3144 | 3249 | 5/7 |
| M250 | 2500 | 1500 | 1600 | 1800 | 2000 | 1775 | 2855 | 2890 | 3181 | 3286 | 5/7 |
| M300 | 3000 | 1500 | 1600 | 1800 | 2000 | 2025 | 2884 | 2909 | 3209 | 3314 | 5/7 |
| M330 | 3300 | 1500 | 1600 | 1800 | 2000 | 2175 | 2900 | 2935 | 3225 | 3330 | 5/7 |
| M350 | 3500 | 1500 | 1600 | 1750 | 2000 | 2275 | 2911 | 2936 | 3236 | 3341 | 5/7 |
| M370 | 3700 | 1500 | 1600 | 1750 | 2000 | 2375 | 2922 | 2947 | 3247 | 3352 | 5/7 |
| M400 | 4000 | 1500 | 1600 | 1750 | 1950 | 2575 | 2965 | 2990 | 3290 | 3395 | 3/5 |
| M425 | 4250 | 1500 | 1600 | 1750 | 1900 | 2700 | 3007 | 3033 | 3333 | 3438 | 3/5 |
| M450 | 4500 | 1400 | 1500 | 1700 | 1850 | 2825 | 3023 | 3048 | 3348 | 3453 | 3/5 |
| M500 | 5000 | 1300 | 1400 | 1600 | 1700 | 3075 | 3054 | 3079 | 3379 | 3484 | 3/5 |

WIDE VIEW FULL FREE 2-STAGE MAST

| Mast model | Max lifting height mm | Load capacity (load center 500mm) | | | | Mast overall height (fork to the ground) | Free lifting height (with backrest) | Service weight | | | | Mast tilting angle (°)α/β |
|------------|-----------------------|-----------------------------------|------|------|------|--|-------------------------------------|----------------|--------|------|------|---------------------------|
| | | 1.5t | 1.6t | 1.8t | 2.0t | | | 1.5-2t | 1.5-2t | 1.5t | 1.6t | |
| ZM200 | 2000 | 1500 | 1600 | 1800 | 2000 | 1525 | 510 | 2855 | 2890 | 3182 | 3235 | 5/7 |
| ZM250 | 2500 | 1500 | 1600 | 1800 | 2000 | 1775 | 760 | 2884 | 2919 | 3209 | 3264 | 5/7 |
| ZM300 | 3000 | 1500 | 1600 | 1800 | 2000 | 2025 | 1010 | 2912 | 2937 | 3237 | 3292 | 5/7 |
| ZM330 | 3300 | 1500 | 1600 | 1800 | 2000 | 2175 | 1160 | 2930 | 2965 | 3255 | 3300 | 5/7 |
| ZM350 | 3500 | 1500 | 1600 | 1750 | 2000 | 2275 | 1260 | 2941 | 2966 | 3266 | 3321 | 5/7 |
| ZM370 | 3700 | 1500 | 1600 | 1750 | 2000 | 2375 | 1360 | 2955 | 2980 | 3280 | 3355 | 5/7 |
| ZM400 | 4000 | 1500 | 1600 | 1750 | 1950 | 2575 | 1560 | 3000 | 3025 | 3325 | 3380 | 3/5 |

WIDE VIEW FULL FREE 3-STAGE MAST

| Mast model | Max lifting height mm | Load capacity (load center 500mm) | | | | Mast overall height (fork to the ground) | Free lifting height (with backrest) | Service weight | | | | Mast tilting angle (°)α/β |
|------------|-----------------------|-----------------------------------|------|------|------|--|-------------------------------------|----------------|--------|------|------|---------------------------|
| | | 1.5t | 1.6t | 1.8t | 2.0t | | | 1.5-2t | 1.5-2t | 1.5t | 1.6t | |
| ZSM360 | 3600 | 1500 | 1600 | 1750 | 2000 | 1790 | 781 | 3044 | 3079 | 3369 | 3524 | 3/5 |
| ZSM400 | 4000 | 1500 | 1600 | 1750 | 2000 | 1925 | 916 | 3069 | 3104 | 3394 | 3549 | 3/5 |
| ZSM435 | 4350 | 1400 | 1500 | 1700 | 1900 | 2040 | 1031 | 3097 | 3132 | 3422 | 3577 | 3/5 |
| ZSM450 | 4500 | 1400 | 1500 | 1700 | 1850 | 2090 | 1081 | 3108 | 3143 | 3433 | 3588 | 3/5 |
| ZSM470 | 4700 | 1350 | 1450 | 1650 | 1750 | 2180 | 1151 | 3124 | 3159 | 3446 | 3601 | 3/5 |
| ZSM480 | 4800 | 1350 | 1450 | 1650 | 1750 | 2190 | 1181 | 3129 | 3164 | 3451 | 3606 | 3/5 |
| ZSM500 | 5000 | 1200 | 1300 | 1600 | 1700 | 2290 | 1281 | 3151 | 3186 | 3473 | 3628 | 3/5 |
| ZSM540 | 5400 | 1050 | 1150 | 1250 | 1400 | 2425 | 1416 | 3207 | 3242 | 3529 | 3684 | 3/3 |
| ZSM600 | 6000 | 800 | 900 | 1000 | 1100 | 2640 | 1631 | 3247 | 3282 | 3569 | 3724 | 3/3 |
| ZSM650 | 6500 | 700 | 800 | 900 | 1000 | 2830 | 1821 | 3289 | 3324 | 3611 | 3766 | 3/3 |

LITHIUM BATTERY CHARGER

| Lithium battery brand | HELI | | CATL | | EIKTO |
|--|-------------------------------|---------|---------|---------|---------|
| | 80V/202 | 80V/271 | 80V/202 | 80V/271 | 80V/271 |
| Voltage/Capacity | ● | ○ | ○ | ○ | ○ |
| CPD15/16/18/20SQ | | | | | |
| Low temperature heating of lithium battery | | | ● | | |
| Charger | D80V200ALI-123 D80V200ALI-423 | | | | |

Note: ● standard ○ optional — non-configurable

Optional

| | | | |
|---|---|--|---|
| Security class | Steering automatic deceleration | ● | |
| | Reversing handle with horn button | ● | |
| | OPS system (Excluding descent) | ● | |
| | Complete OPS system | ○ | |
| | Seat belt switch | ● | |
| | Multi way valve overload | ● | |
| | Fire extinguisher | ○ | |
| | Backward buzzer | ● | |
| | Reversing Chinese language horn | ○ | |
| | Electronic upper buffer | ● | |
| Comfort class | Rearview mirror with angle in the middle | ● | |
| | Left and right rear mirror | ○ | |
| | Tilt speed limit | ● | |
| | Active stabilization (Standard configuration for full free 3-stage mast above 4m) | ● | |
| | Standard seat | ● | |
| | Fully suspended seat | ○ | |
| | USB power | ● | |
| | Mechanical valve | ● | |
| | Solenoid valve (proportional valve + thumb switch) | ○ | |
| | Fan | ○ | |
| Non standard overhead guard | Color screen instrument | ● | |
| | Heater | ○ | |
| | Performance mode control | ● | |
| | Steering wheel with operation ball | ● | |
| | Steering wheel without operation ball | ○ | |
| | The height of overhead guard is increased by 50mm | ○ | |
| | Overhead guard with protective net | ○ | |
| | Cab/windshield glass | Cab | ○ |
| | | Fit the front windshield | ○ |
| | | Equipped with rear windshield | ○ |
| Equipped with top rain glass | | ○ | |
| No rear work lights or rear blue lights | | ● | |
| Light class | | LED rear work light | ○ |
| | | LED rear blue light (without switch control) | ○ |
| | | led rear work light and led rear blue light (without switch control) | ○ |
| | | LED flickering warning light | ○ |
| | | LED rotary warning light | ● |
| | LED rotary warning light | ○ | |
| | led rotary buzzer warning light | ○ | |
| | HEDING lithium battery | ● | |
| | ENEROC lithium battery | ○ | |
| | EIKTO lithium battery | ○ | |
| Other | Solid tire | ● | |
| | Traceless tyre | ○ | |
| | Single tire (front wheel) | ● | |
| | Double tire (front wheel) | - | |
| | Metric thread | ● | |
| | American thread | ○ | |
| | Sleeve for Tilting cylinder | ○ | |
| | Tilting cylinder, sleeve for steering cylinder | ○ | |
| | HELL package | ● | |
| | Neutral package | ○ | |
| Chinese sticker | ● | | |
| English sticker | ○ | | |
| Custom-made sticker | ○ | | |
| HELL smart fleet management system (standard version) | ○ | | |

Note: ● standard ○ optional — non-configurable